



# PERGOLINO



## PERGOLA & PAVILLON THE ELEGANT PERGOLA AWNING



# PERGOLINO P3500






Variable bracket positioning



Fabric-locking Stobblock

- Very elegant construction
- High mounting flexibility due to adjustable brackets and guide rails
- Integrated water channel for lateral draining of rain water
- High fabric tension thanks to fabric-locking Stobblock
- Can be used in the rain when set to the corresponding incline and the water-resistant fabric is tensioned
- Various floor fastenings for the supports (rain gutter, floor sleeves, foot plate)
- Large area can be shaded – up to 19' 8" projection

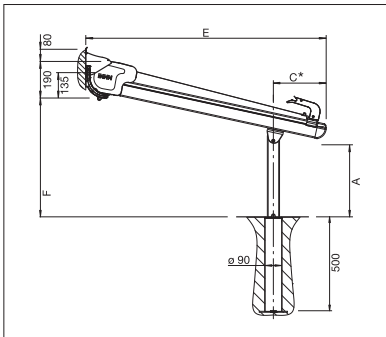
## P3500

-  min. 6' 7"  
max. 23' 0" \*
-  min. 6' 7"  
max. 19' 8"
-  Post height  
max. 9' 10"

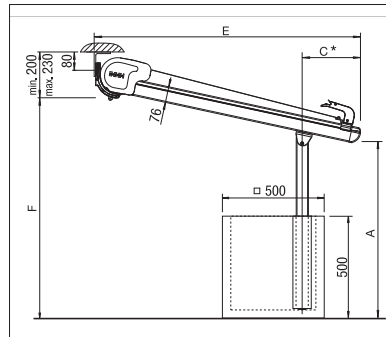
\* from 18' 1" with 3 guide rails



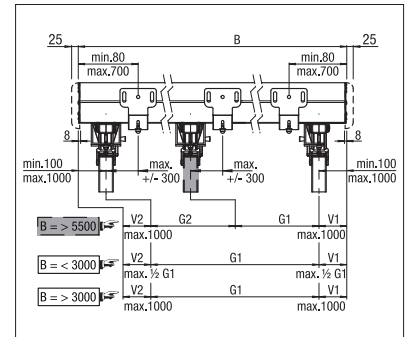
Technical dimensions in millimetres (1 mm = 0.03937")



Wall mounting with floor sleeves



Ceiling mounting with rain gutter trough



With three guides



Constant fabric tensioning



### COLORS

Discover the diverse options when selecting frame colors.



### FABRICS

Choose from a comprehensive range of materials and colors.



### ELECTRICS

More convenience thanks to the automated control.



**ENJOY THE TERRACE –  
IN ANY WEATHER**